



## 简介

PBV系列气动管路球阀设计应用于最大工作压力PN1.0MPa的各种小型化的气动管路系统，阀体采用六角棒料加工，配以旗形塑料手柄，紧凑型结构设计，性能可靠。

## Introduction

PBV series pneumatic ball valves are designed for the small-sized pneumatic tubing systems up to 1.0 MPa. The body is fabricated by hex bar stock, To equip with flag-shaped plastic handle, compact and economical design and reliable performance.

## 特点

- 阀体特性:六角形棒料
- 容许双向流动
- 配用气源管: 不锈钢管  
铜管, 尼龙管, PU管, PVC管, PE管等
- 填料: O形圈 (CR, FKM)
- 连接型式多样
- 100%工厂气密封试验

## 技术规范

- 最大工作压力: PN1.0MPa
- 球孔直径: 7.1 mm
- 许用温度范围:  
NBR: -40~120°C; FKM: -40~232°C

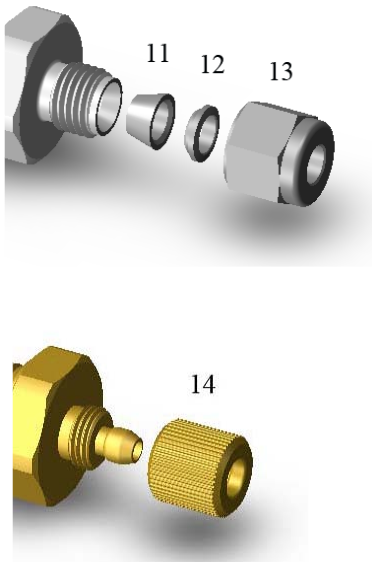
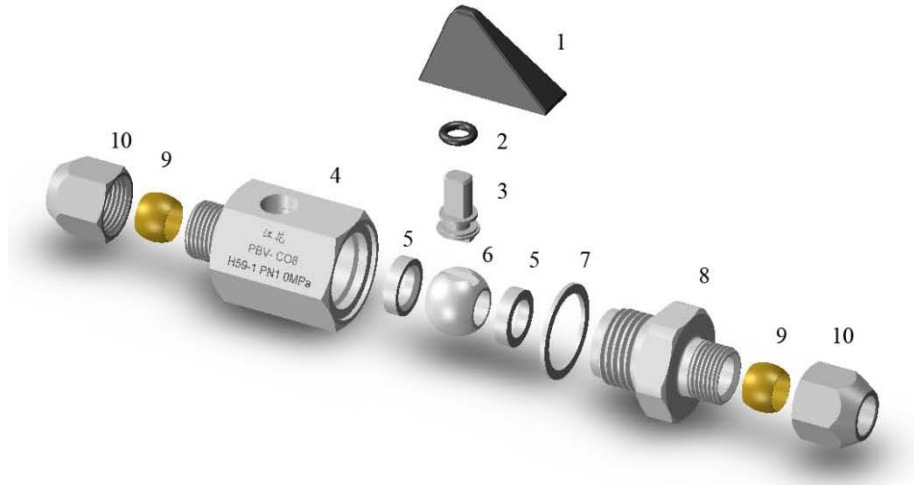
## Features

- Characteristics: hex bar stock
- Allows bidirectional flow
- Pipe of air supply: stainless steel tube  
copper, nylon, PU, PVC, PE tube
- Packing: O-Ring (CR, FKM)
- Various of end connections
- 100% factory tested

## Specification

- Maximum working pressures: 1.0MPa
- Ball orifice: 7.1 mm
- Applicable Tem.:  
NBR: -40~120°C; FKM: -40~232°C

**结构材料 Materials of Construction**



注：表中结构材料为我公司典型配置，根据介质及温度状况可能有变动，也可按顾客要求制造。

Note: The material in the sheet is used on manufacturing the common product in our company. We can manufacture as the customer's requirements according to the change of the medium and temperature condition.

序号 No	部件 Components	阀体材料 Material		
		304SS	316SS	黄铜 Brass
1	手柄 Handle	塑料 Plastic		
2	O形圈 O-Ring	NBR or FKM		
3	阀杆 Stem	304SS	316SS	黄铜 Brass
4	阀体 Body	304SS	316SS	黄铜 Brass
5	密封座 seal seat	聚四氟乙烯 PTFE		
6	球 Ball	304SS	316SS	黄铜 Brass
7	垫片 Washer	聚四氟乙烯 PTFE		
8	终端接头体 End connector	304SS	316SS	黄铜 Brass
9	密封环 Sealing Ring	—	—	铜 Copper
10	外套螺母 Nut	—	—	黄铜 Brass
11	前卡套 Front ferrule	304SS	316SS	黄铜 Brass
12	后卡套 Back ferrule	304SS	316SS	黄铜 Brass
13	卡套螺母 Ferrule nut	304SS	316SS	黄铜 Brass
14	螺母 Nut	—	—	黄铜 Brass

# PBV系列气动管路球阀

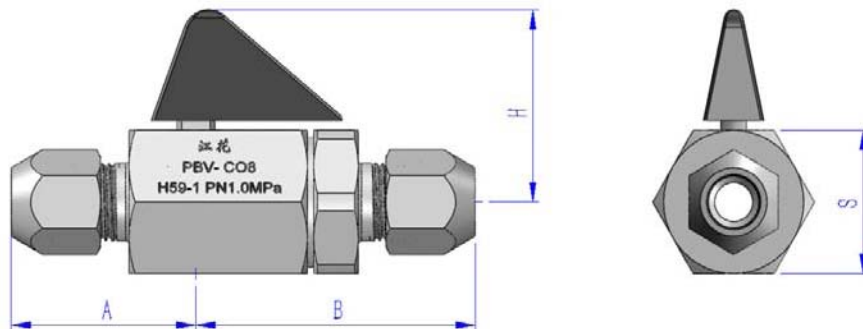
## PBV Series Pneumatic Ball Valves

江花®  
JIANGHUA

### 尺寸 Dimensions

尺寸仅供参考, 可能变动。

Dimensions are for reference only and are subject to change.



### 规格尺寸表 Table of model and dimensions

基本型号 Basic Model	接口型式/尺寸 Connection type/size		尺寸 size (mm)			
	连接端 1 Connection 1	连接端 2 Connection 2	A	B	H	S
PBV-CO6	压环式 6mm	Compression type	29.0	44.0	29.5	22.0
PBV-CO8	压环式 8mm	Compression type				
PBV-CO10	压环式 10mm	Compression type				
PBV-DF6M	双卡套公制管 6mm	Double ferrules for metric tube	28.5	43.5		
PBV-DF8M	双卡套公制管 8mm	Double ferrules for metric tube	29.7	44.7		
PBV-DF10M	双卡套公制管 10mm	Double ferrules for metric tube	30.9	45.9		
PBV-DF1/4	双卡套英制管 OD1/4"	Double ferrules for fractional tube	28.5	43.5		
PBV-DF3/8	双卡套英制管 OD3/8"	Double ferrules for fractional tube	30.9	45.9		
PBV-PL6x1	塑料管 6x1	Plastic tube	24.5	38.5		
PBV-PL8x1	塑料管 8x1	Plastic tube	24.5	38.5		
PBV-PL10x1	塑料管 10x1	Plastic tube	25.5	39.5		
PBV-PL10x1.25	塑料管 10x1.25	Plastic tube				
PBV-N1/4-CO6	外螺纹 NPT1/4 Male NPT	压环式6mm Compression type	22.5	44		

**规格尺寸表 Table of model and dimensions**

基本型号 Basic Model	接口型式/尺寸 Connection type/size		尺寸 size (mm)			
	连接端 1 Connection 1	连接端 2 Connection 2	A	B	H	S
PBV-N1/4-CO8	外螺纹 NPT1/4 Male NPT	压环式8mm Compression type	22.5	44.0	29.5	22.0
PBV-N1/4-CO10	外螺纹 NPT1/4 Male NPT	压环式10mm Compression type		44.5		
PBV-R1/4-CO6	外螺纹 R1/4 Male BSPT	压环式6mm Compression type		44.0		
PBV-R1/4-CO8	外螺纹 R1/4 Male BSPT	压环式8mm Compression type		44.5		
PBV-R1/4-CO10	外螺纹 R1/4 Male BSPT	压环式10mm Compression type				
PBV-FN1/4-CO6	内螺纹 NPT1/4 Female NPT	压环式6mm Compression type	23.5	44.0		
PBV-FN1/4-CO8	内螺纹 NPT1/4 Female NPT	压环式8mm Compression type		44.5		
PBV-FN1/4-CO10	内螺纹 NPT1/4 Female NPT	压环式10mm Compression type				
PBV-Rp1/4-CO6	内螺纹 Rp1/4 Female BSPP	压环式6mm Compression type		44.0		
PBV-Rp1/4-CO8	内螺纹 Rp1/4 Female BSPP	压环式8mm Compression type		44.5		
PBV-Rp1/4-CO10	内螺纹 Rp1/4 Female BSPP	压环式10mm Compression type				
PBV-N1/4-DF6M	外螺纹 NPT1/4 Male NPT	双卡套 6mm Double ferrules	22.5	43.5		
PBV-N1/4-DF8M	外螺纹 NPT1/4 Male NPT	双卡套 8mm Double ferrules		44.7		
PBV-R1/4-PL6x1	外螺纹 R1/4 Male BSPT	塑料管 6x1 Plastic tube	22.5	38.5		
PBV-R1/4-PL8x1	外螺纹 R1/4 Male BSPT	塑料管 8x1 Plastic tube				
PBV-R1/4-PL10x1	外螺纹 R1/4 Male BSPT	塑料管 10x1 Plastic tube				
PBV-Rp1/4-PL6x1	内螺纹 Rc1/4 Female BSPT	塑料管 6x1 Plastic tube	23.5	38.5		
PBV-Rp1/4-PL8x1	内螺纹 Rc1/4 Female BSPT	塑料管 8x1 Plastic tube				
PBV-N1/4-FN1/4	外螺纹 NPT1/4 Male NPT	内螺纹 NPT1/4 Female NPT	22.5	31.5		
PBV-R1/4-Pp1/4	外螺纹 R1/4 Male BSPT	内螺纹 Rp1/4 Female BSPP				
PBV-FN1/4	内螺纹 NPT1/4 Female NPT		23.5			
PBV-Rp1/4	内螺纹 Rp1/4 Female BSPP					

**订购须知 Ordering information**

阀门系列 Valve series	连接端 1 Connection 1			连接端 2 Connection 2	阀体材质 Body material	
PBV	N	NPT外螺纹 Male NPT	1/4	与进口相同 Same with the inlet	S1	321SS
	FN	NPT内螺纹 Female NPT	1/4		S4	304SS
	R	BSPT外螺纹 Male BSPT	1/4	标识方法同进口 The marking method is same with inlet	S6	316SS
	Rp	BSPP内螺纹 Female BSPP	1/4		B	黄铜 Brass
	CO	压环式(铜管、尼龙管) Compression type for copper, nylon tube	6, 8, 10			
	DF	双卡套 Double ferrules	6M, 8M, 10M, 1/4, 3/8			
	PL	HYG4 塑料管接头 HYG4 Tube fitting for plastic tube	6x1, 8x1, 10x1, 10x1.25			

注：塑料管连接也可选用内螺纹球阀配装快插接头

Note: The female thread ball valve equipment with rapid fitting for plastic tube are applicable.

**型号举例说明:**

**For example**

**PBV-N1/4-CO6-B**

PBV: PBV系列系列气动管路球阀

N1/4: 连接端1为NPT1/4外螺纹

CO6: 连接端2为压环式, 尺寸 6mm

B: 阀体材质为黄铜

PNV4: PBV series pneumatic ball valves,

N1/4: Connection 1 is 1/4NPT male thread

CO6: Connection 2 is compression type with the size of 6mm

B: The body material is brass.